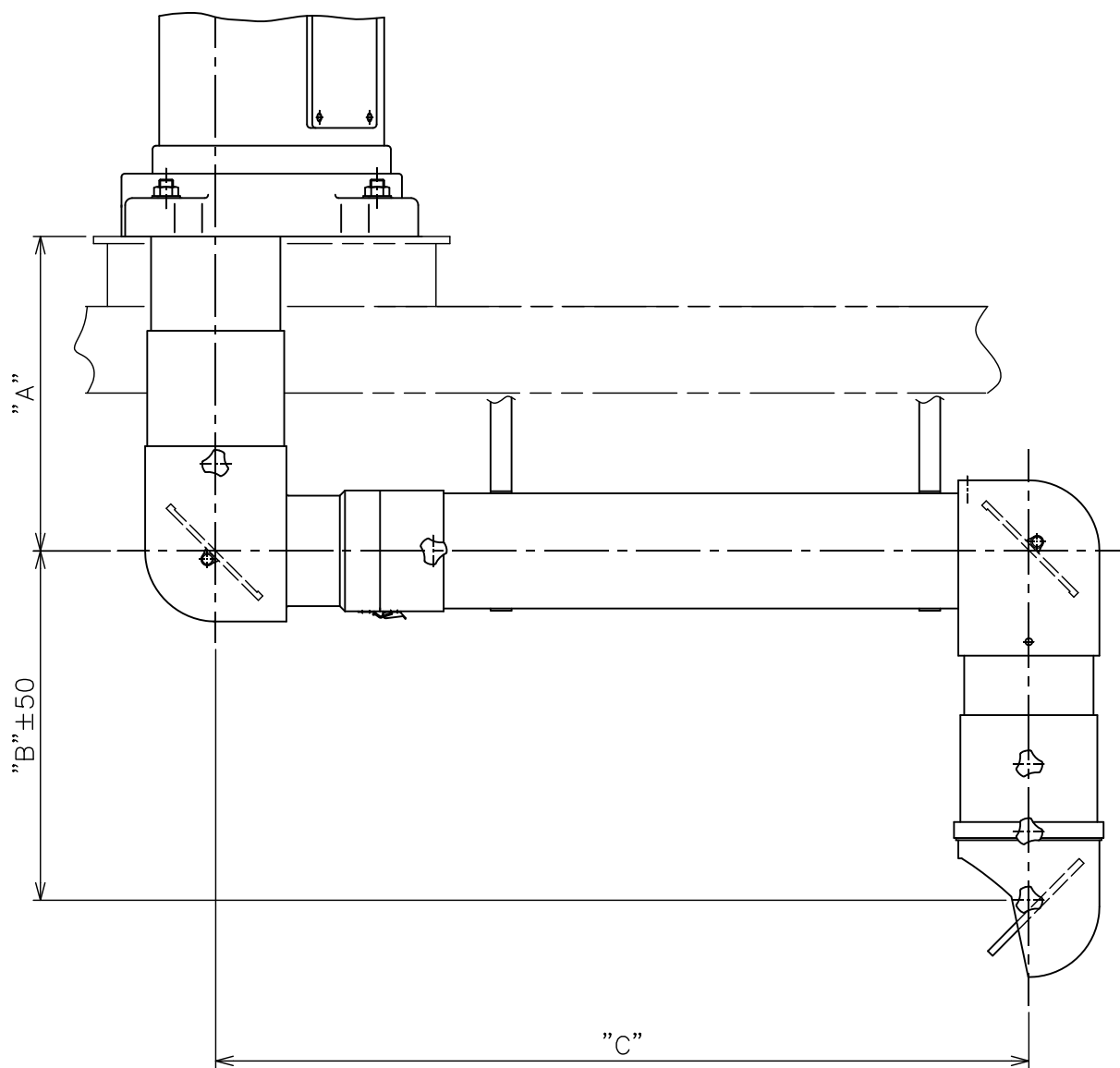


Marine Magnetic Compass(Projector Type)

船用磁気コンパス(投影式)

DOG-LEG



Dimension	Length of dimension
"A"	380~680
"B"	485~800
"C"	485~1500