

Wind Indicator

風向風速計

Receiver

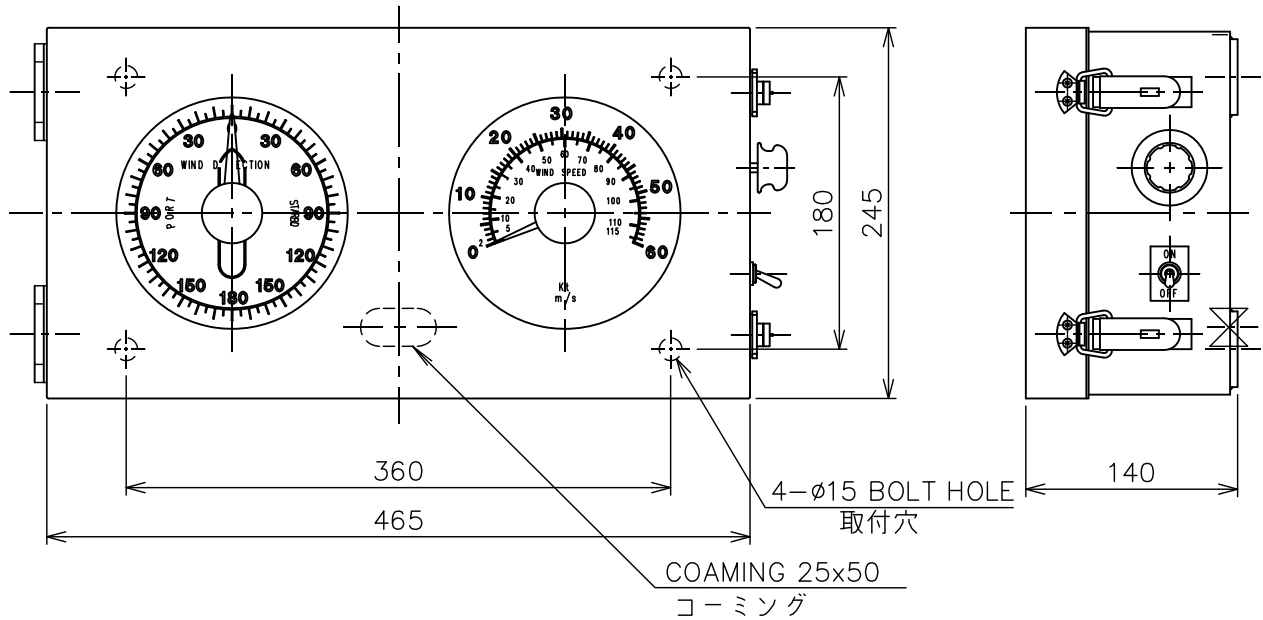
受信器

EL : with illumination

E : without illumination

SCD : with signal converter(format IEC61162-1)

21ELSCD(21EL)(21E)



F22ELSCD(F22EL)(F22E)

