

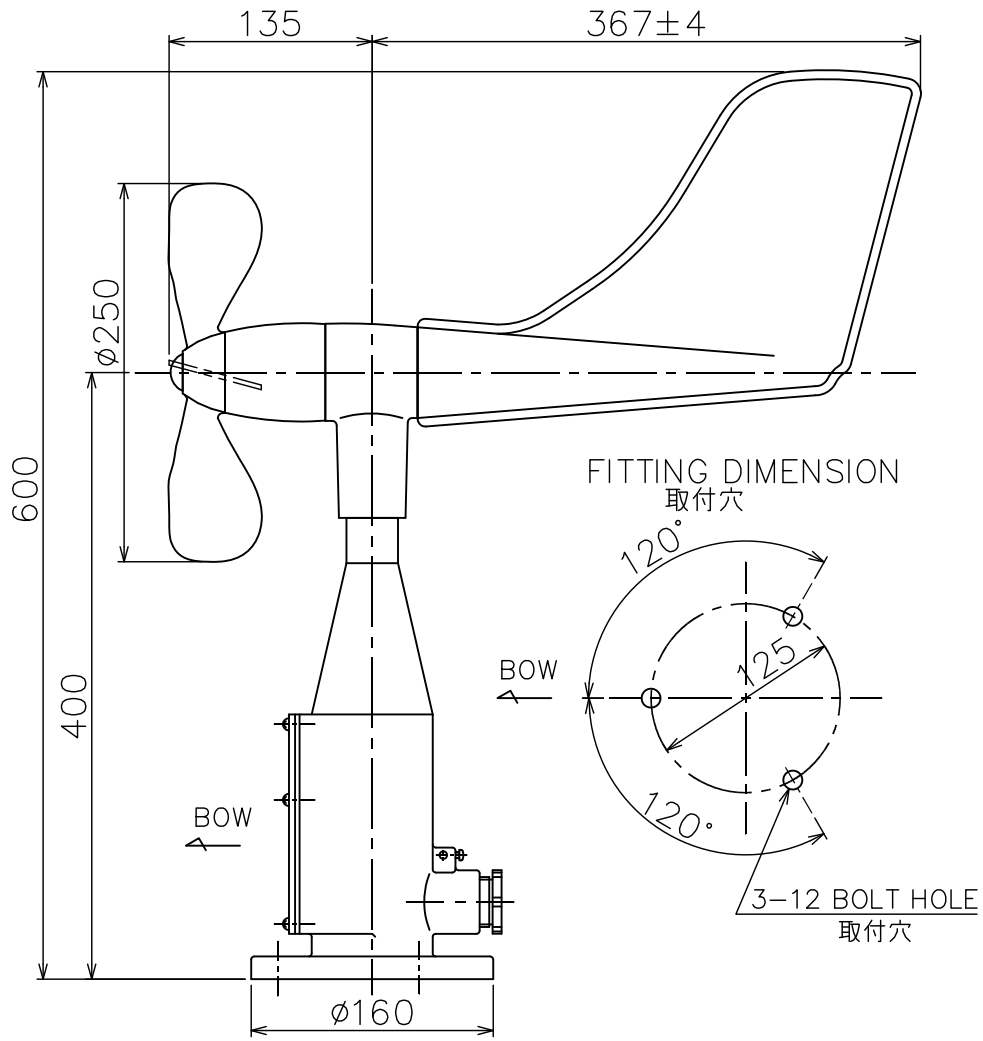
Wind Indicator

風向風速計

Transmitter

発信器

4PN



Wind Indicator

風向風速計

Receiver

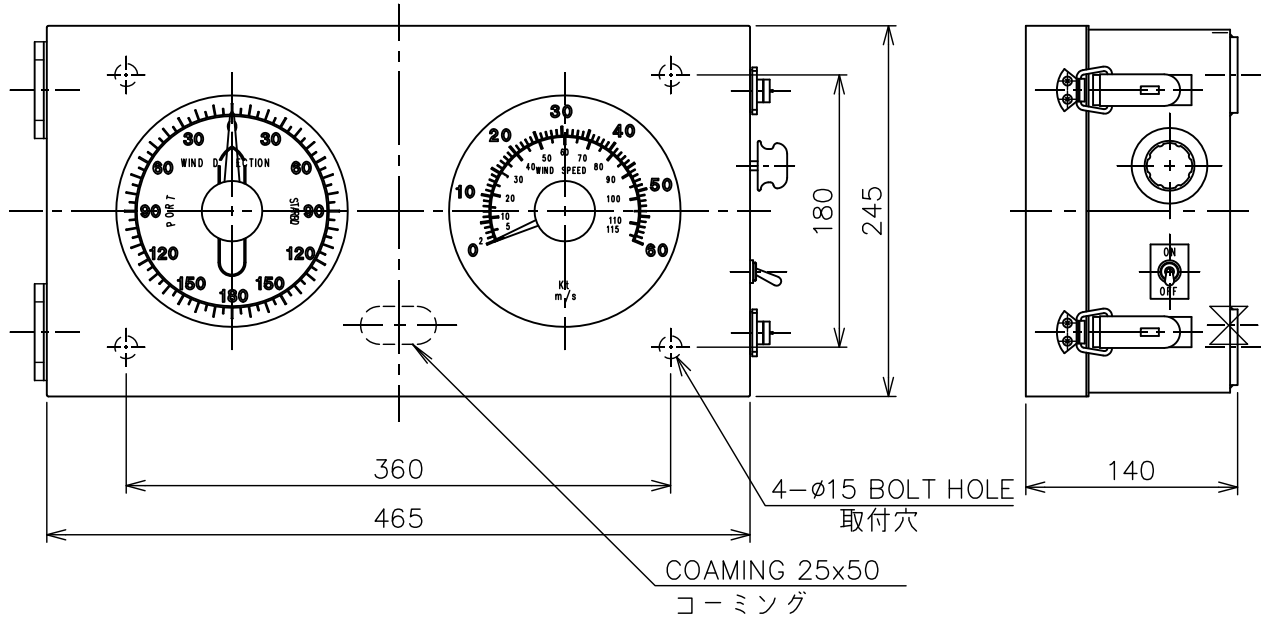
受信器

EL : with illumination

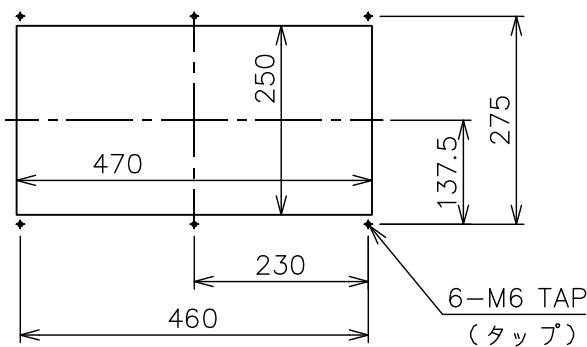
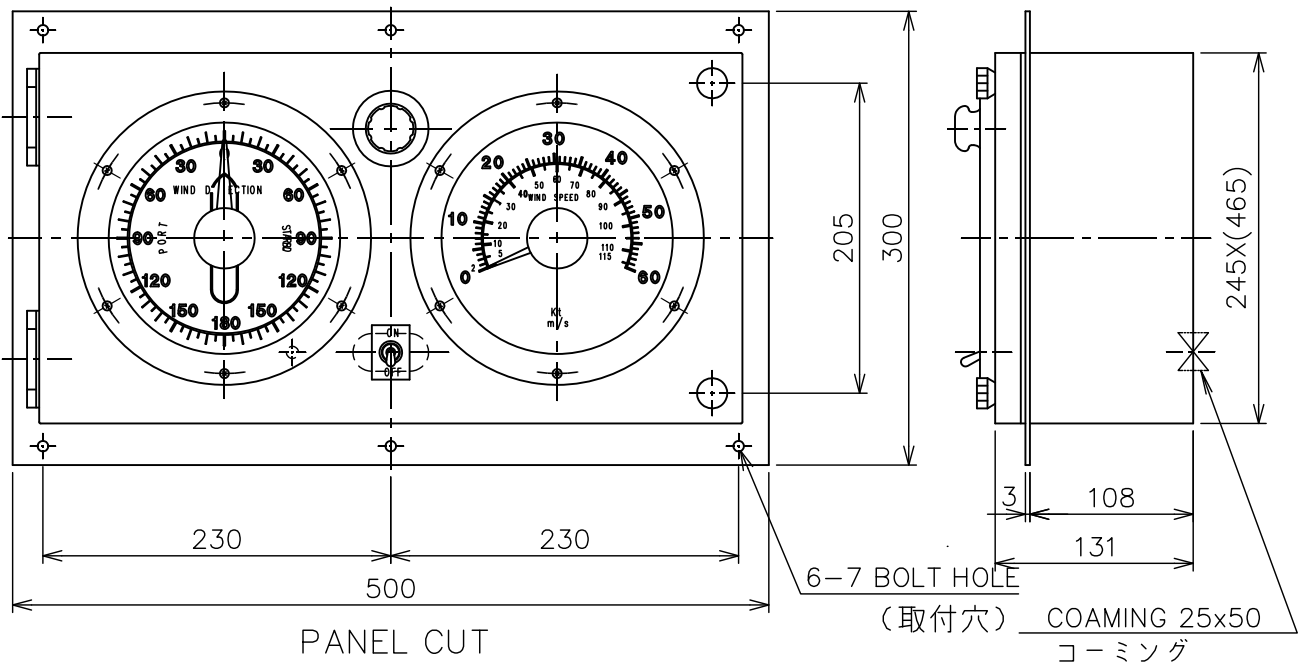
E : without illumination

SCD : with signal converter(format IEC61162-1)

21ELSCD(21EL)(21E)



F22ELSCD(F22EL)(F22E)



Wind Indicator

風向風速計

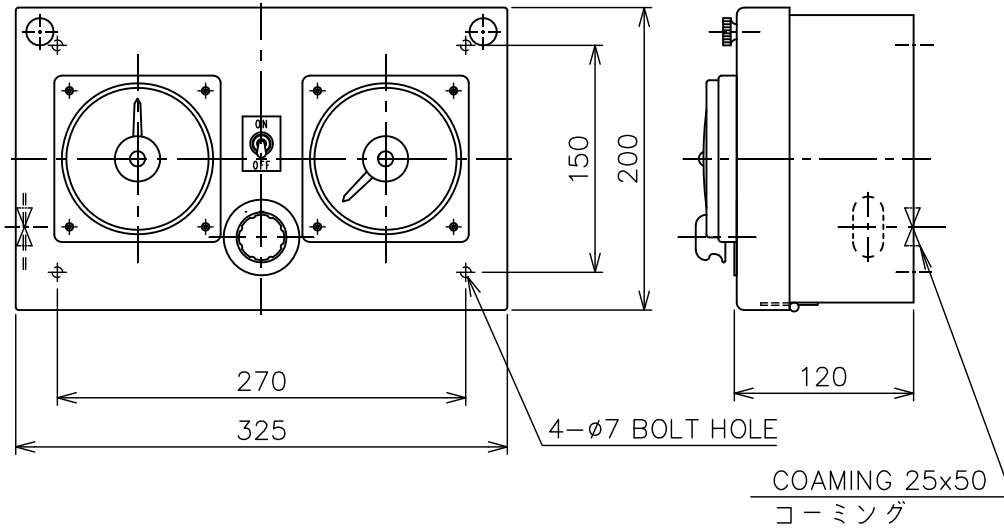
Receiver

受信器

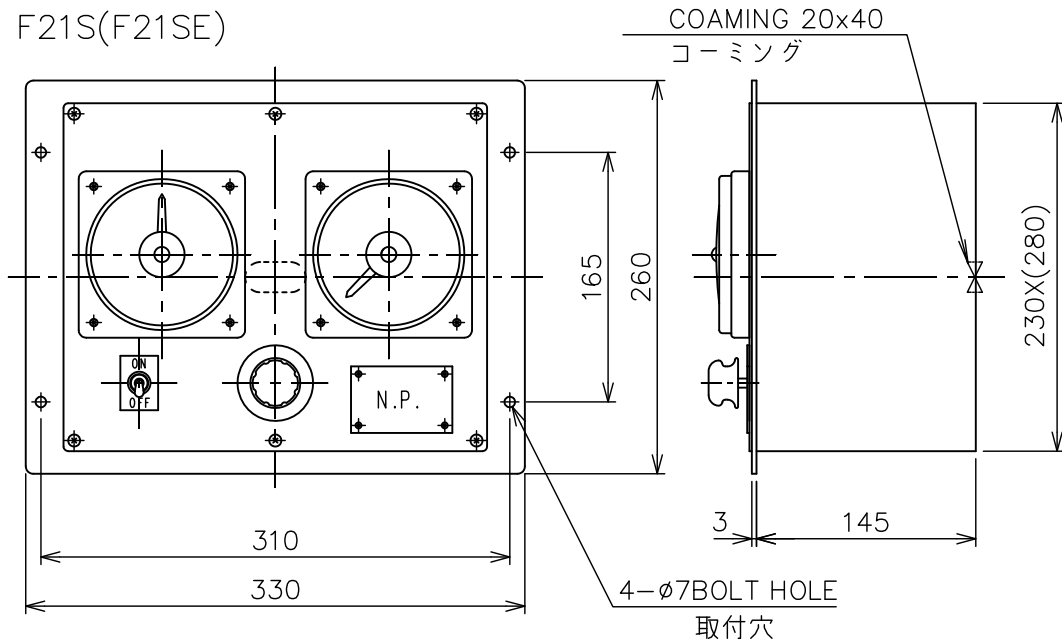
21S,F21S : with illumination

21SE,F21SE : without illumination

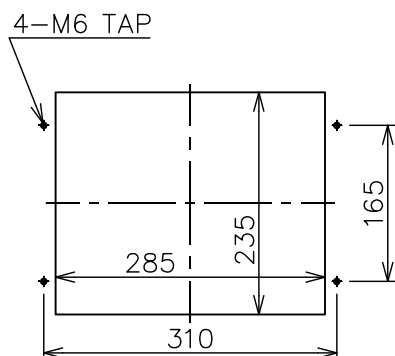
21S(21SE)



F21S(F21SE)



PANEL CUT



Wind Indicator

風向風速計

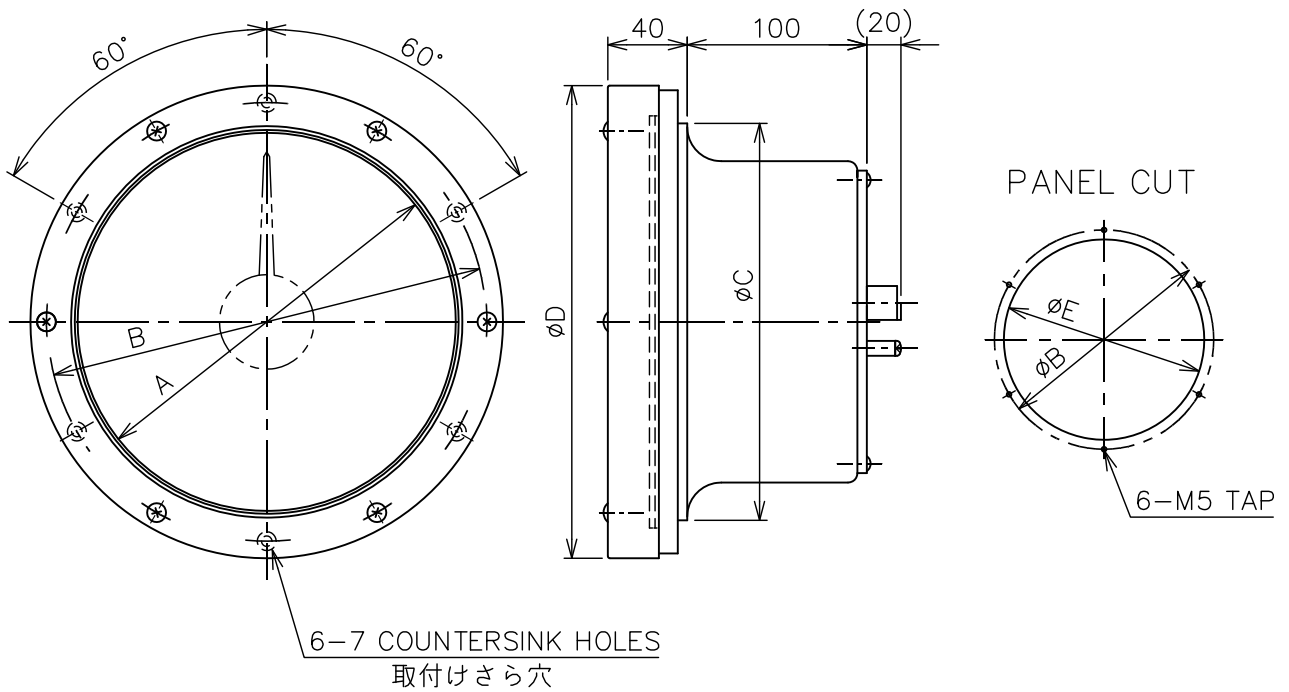
Receiver

受信器

| TYPE(形 式) | A | B | C | D | E |
|-----------------|-----|-----|-----|-----|-----|
| FL150SEL、FE150S | 150 | 183 | 160 | 200 | 162 |
| FL200SEL、FE200S | 200 | 232 | 210 | 250 | 212 |

FL : with illumination

FE : without illumination



Wind Indicator

風向風速計

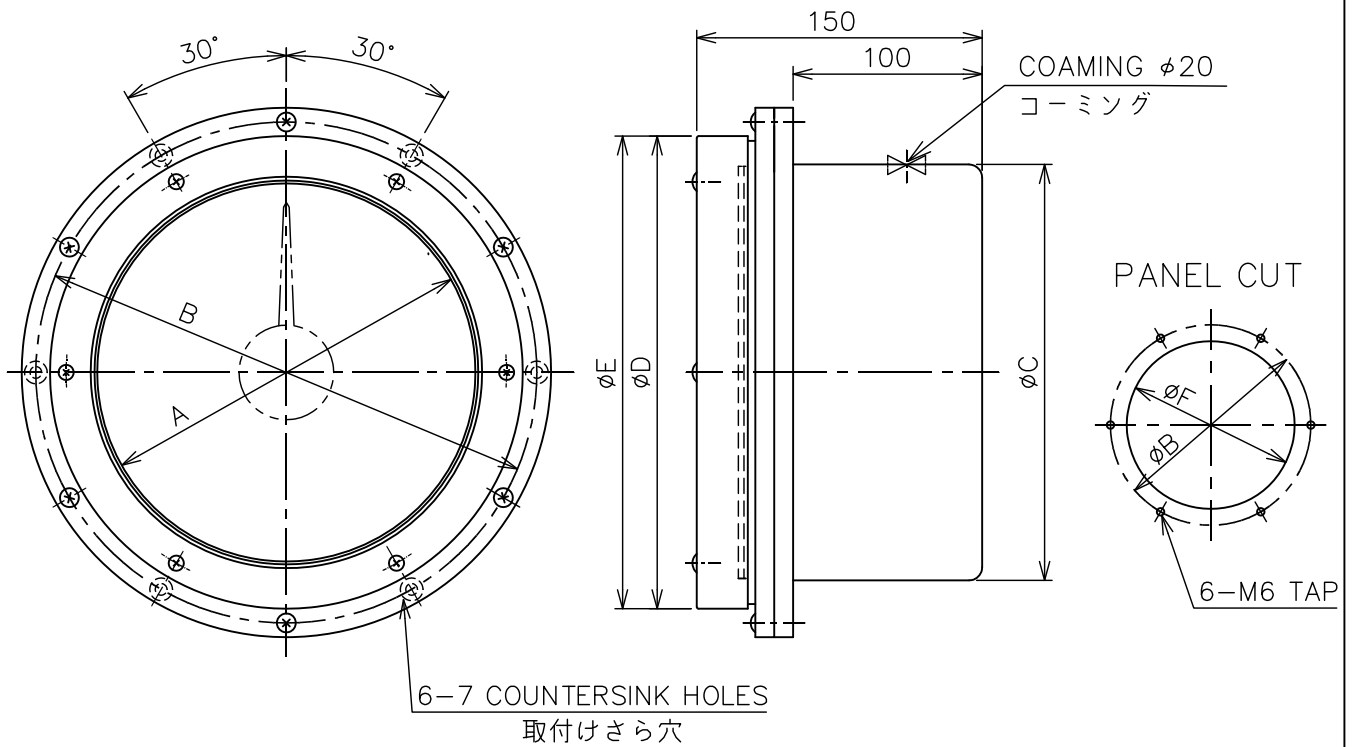
Receiver(Indicator)

受信器

| TYPE(形 式) | A | B | C | D | E | F |
|---------------|-----|-----|-----|-----|-----|-----|
| HL150EL、HE150 | 150 | 215 | 180 | 200 | 230 | 182 |
| HL200EL、HE200 | 200 | 265 | 220 | 250 | 280 | 222 |

HL : with illumination

HE : without illumination

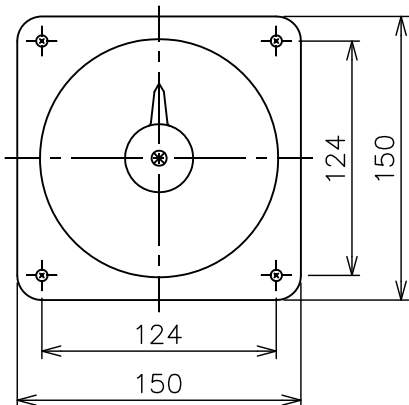


Wind Indicator

風向風速計

FL130EL/FE130

風向計

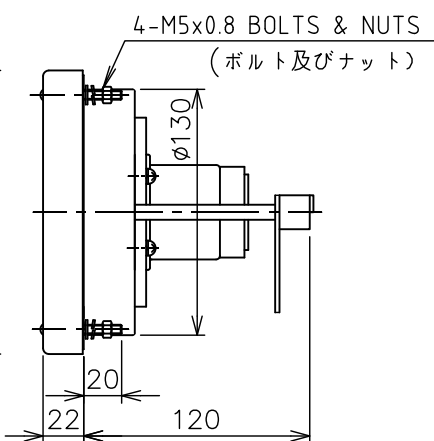


Receiver

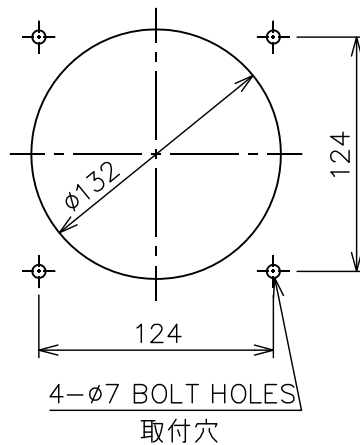
受信器

FL : with illumination

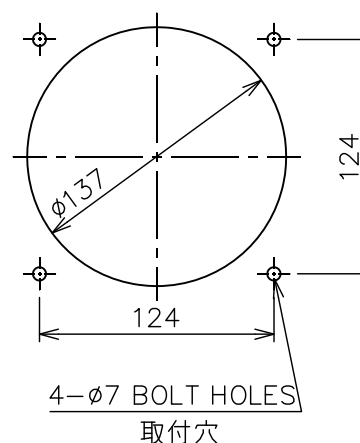
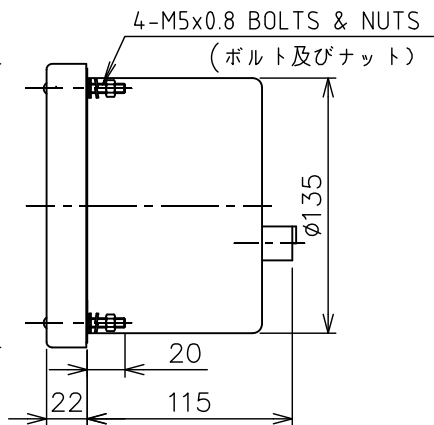
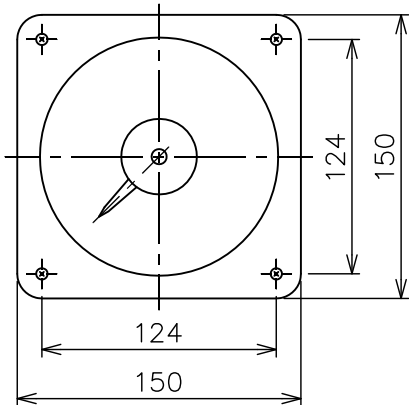
FE : without illumination



PANEL CUT

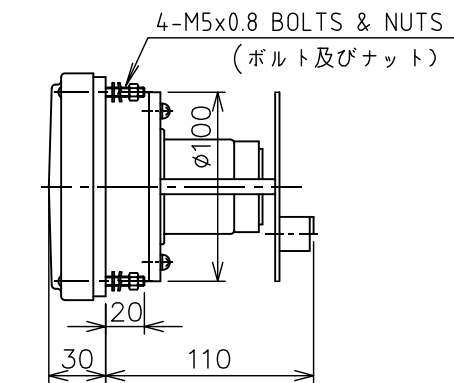
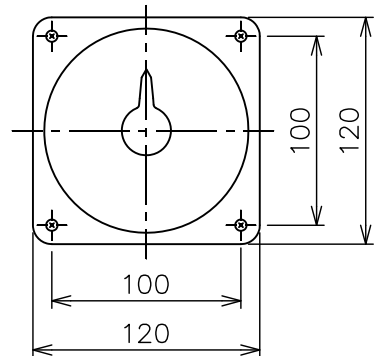


風速計

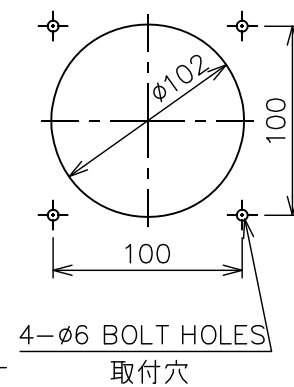


FL100EL/FE100

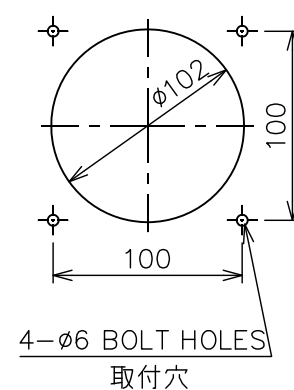
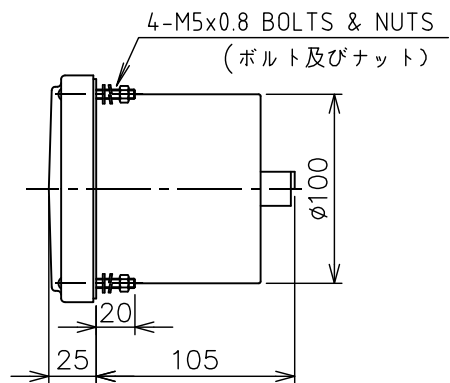
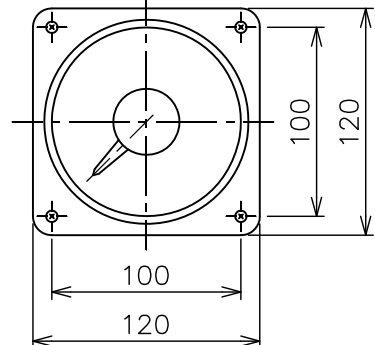
風向計



PANEL CUT



風速計

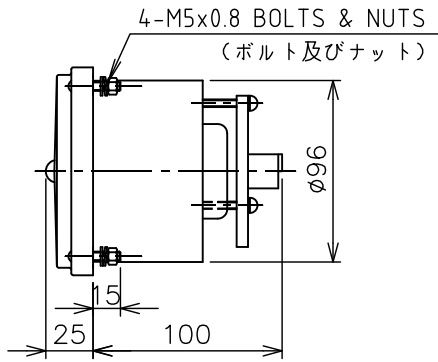
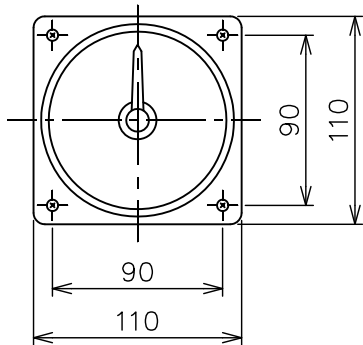


Wind Indicator
風向風速計

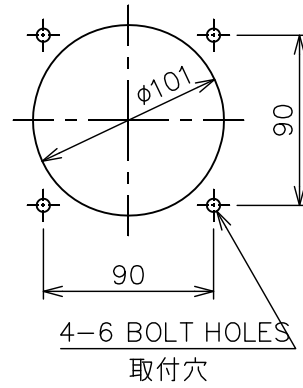
Receiver
受信器

FE90 (without : illumination)

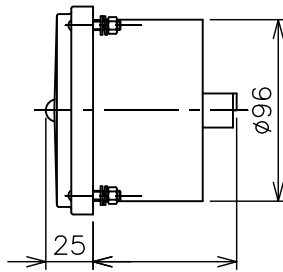
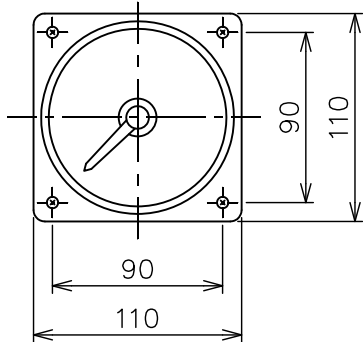
風向計



PANEL CUT

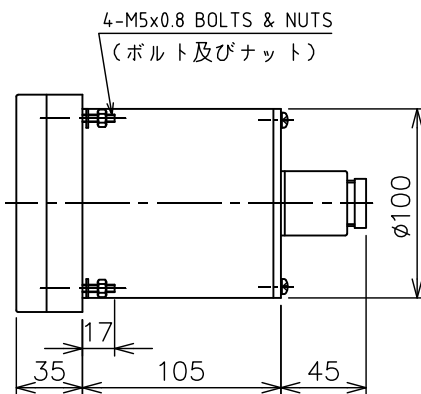
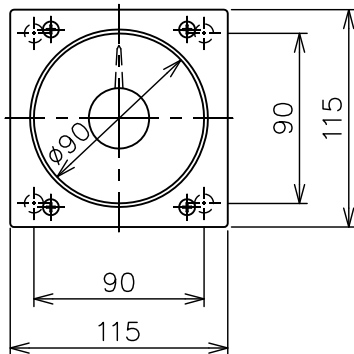


風速計

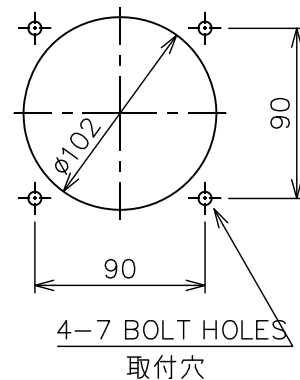


FL90W 防水型(Water Proof IP56) (with illumination)

風向計、風速計



PANEL CUT



Wind Indicator

風向風速計

Signal Converter

信号変換器

Output form is IEC61162-1, and sentence format is MWV.
出力形式はIEC61162-1でセンテンスフォーマットはMWVです。

Converter type(変換器形式)

SC-D422N **S2**

| OUTPUT | TYPE |
|--------|------|
| 2ch | S2 |
| 3ch | S3 |

